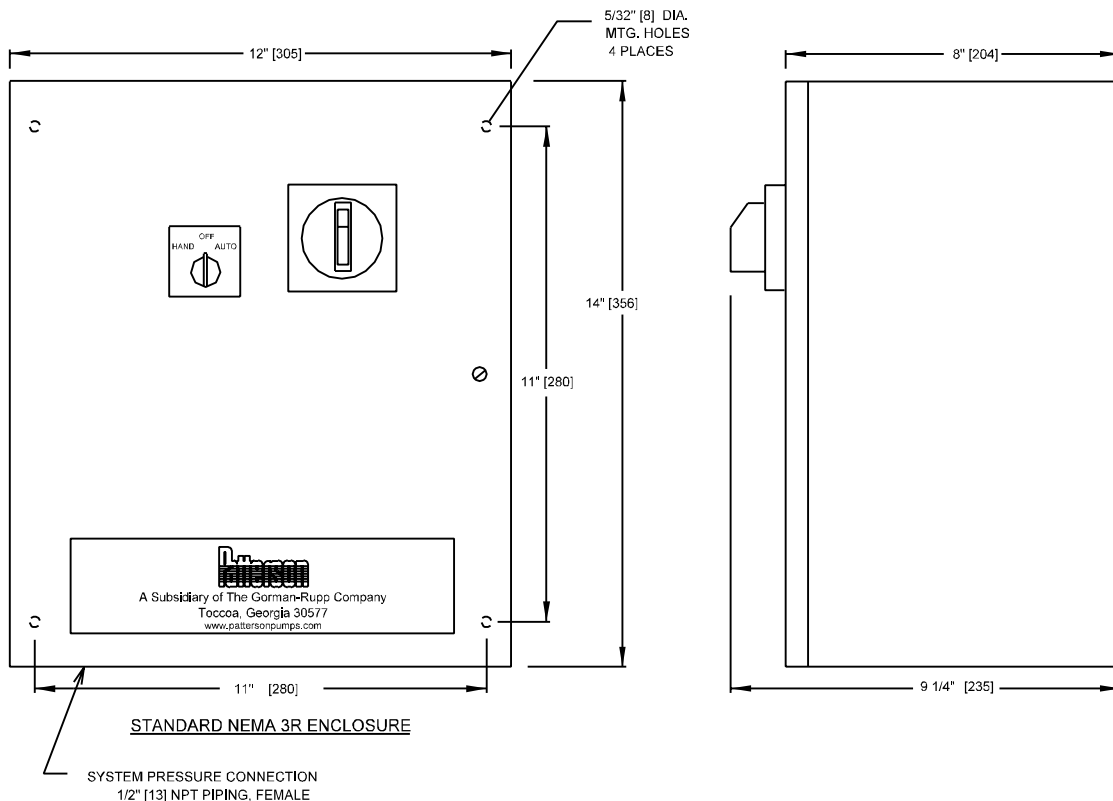
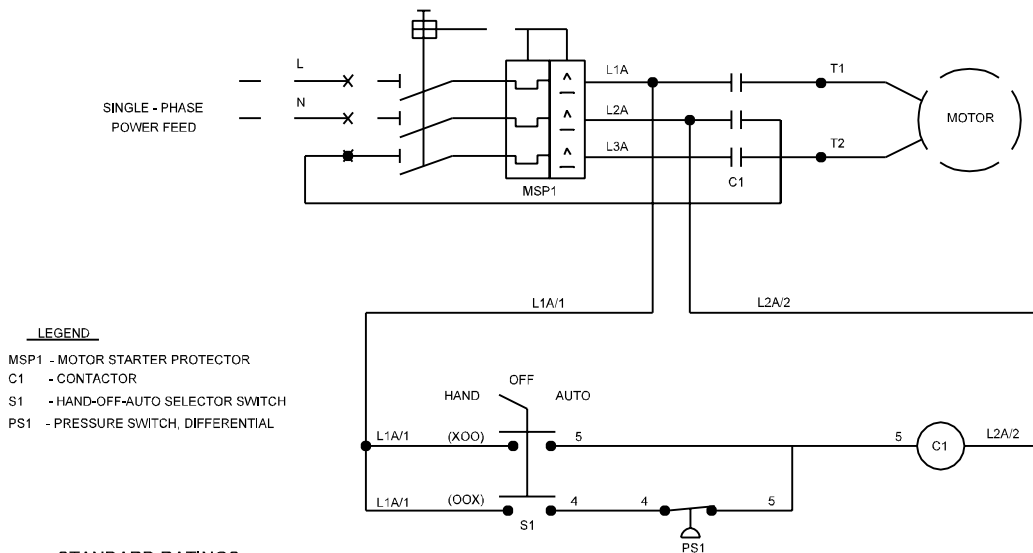


STANDARD JOCKEY PUMP CONTROLLER NEMA 3R ENCLOSURE



STANDARD JOCKEY PUMP CONTROLLER ELECTRICAL SCHEMATIC



STANDARD RATINGS

HORSEPOWER	VOLTAGE	WIRE SIZE (CU) PER PHASE
0.33 - 10	575/3/60	(1) #14 AWG (1) [2.0 MM SQ.]
0.33 - 10	480/3/60	(1) #14 AWG (1) [2.0 MM SQ.]
0.33 - 10	380/3/50	(1) #14 - #8 AWG. (1) [2 - 8 MM SQ.]
0.33 - 10	240/3/60	(1) #8 AWG. (1) [8 MM SQ.]
0.33 - 10	208/3/60	(1) #8 AWG. (1) [8 MM SQ.]
0.33 - 2	120/3/60	(1) #14 AWG (1) [2 MM SQ.]

NOTES:

- ENCLOSURE MADE FROM 16 GA. STEEL
- ENTER EITHER TOP OR BOTTOM
- WALL MOUNTING
- MERCID PRESSURE SWITCH CAN BE SUPPLIED AS AN OPTION
- STANDARD ENCLOSURE NEMA 3R
- FINISH: PAINTED RED
- INTERRUPTING CAPACITY 50KA @ 480VAC
- CONNECT TRANSFORMER PER PRIMARY VOLTAGE REQUIREMENTS